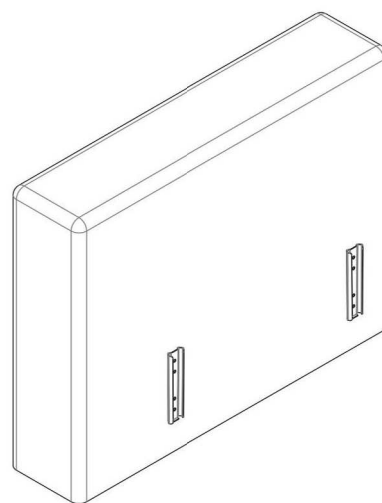
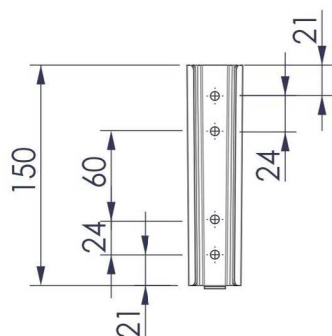
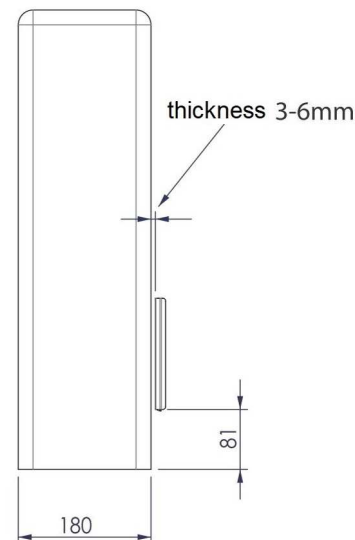
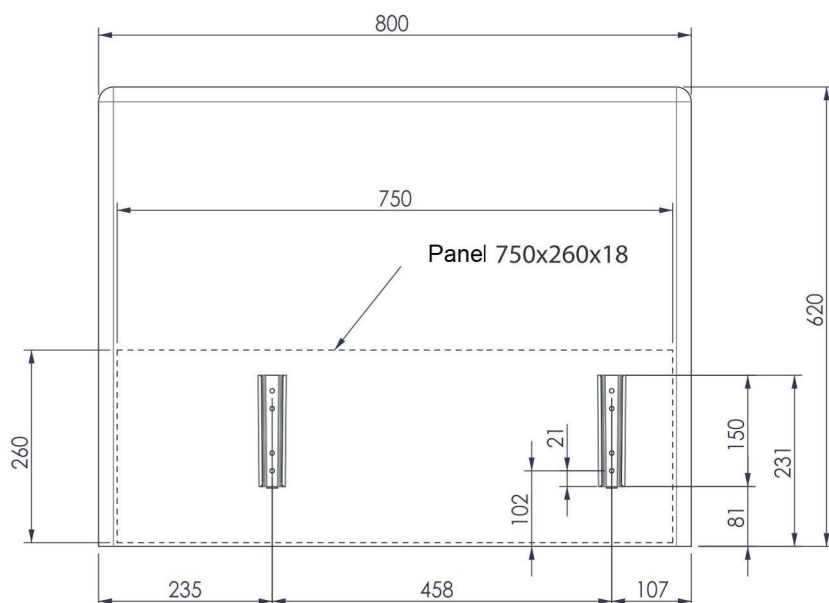


Quantity: 1 pc. left hand
1 pc. right hand

Drawing for thick armrest th. 180 mm



CAUTION! Before starting mass production, a sample must be tested.

- 1 - Mind: The given dimensions are overall finished dimensions, including the panel + upholstery + fabric cover.
- 2 - Mind: Made with an upholstered wooden/particle board panel;
- 3 - Mind: The bayonet glides shall remain externally of the upholstery, fix some 3-6 mm thick shims to adjust the upholstered armrests, in order they do not collide with the front panel once the bed is opened;
- 4 - Mind: The armrest will be suspended from the floor of about 25 mm