

INO(X)SYS FOR DRAWERS

Organising system



- Perfect organisation for cutlery and small items
- High-quality stainless steel trays
- Modular extension possible
- LGA certified
- Colour coordinated plastic parts

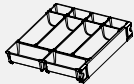
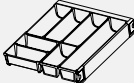
Packaging unit (PU):

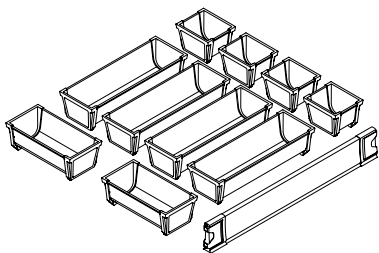
201 = 1 item in a cardboard box

Note:

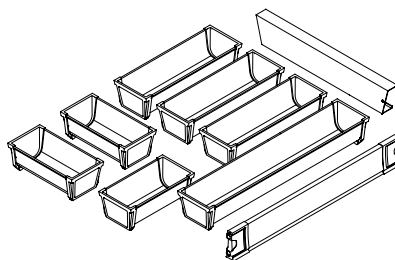
- Hygiene tested, non-toxic and dishwasher safe

ORDER INFORMATION

1 Ino(x)sys 450/B4 from cabinet width 500 Set													
NL		Silver											
		Art.-no.	PU										
450		F102066515	201										
2 Ino(x)sys 500/B4 from cabinet width 500 Set													
NL		Silver											
		Art.-no.	PU										
500		F102066517	201										



Ino(x)sys 450



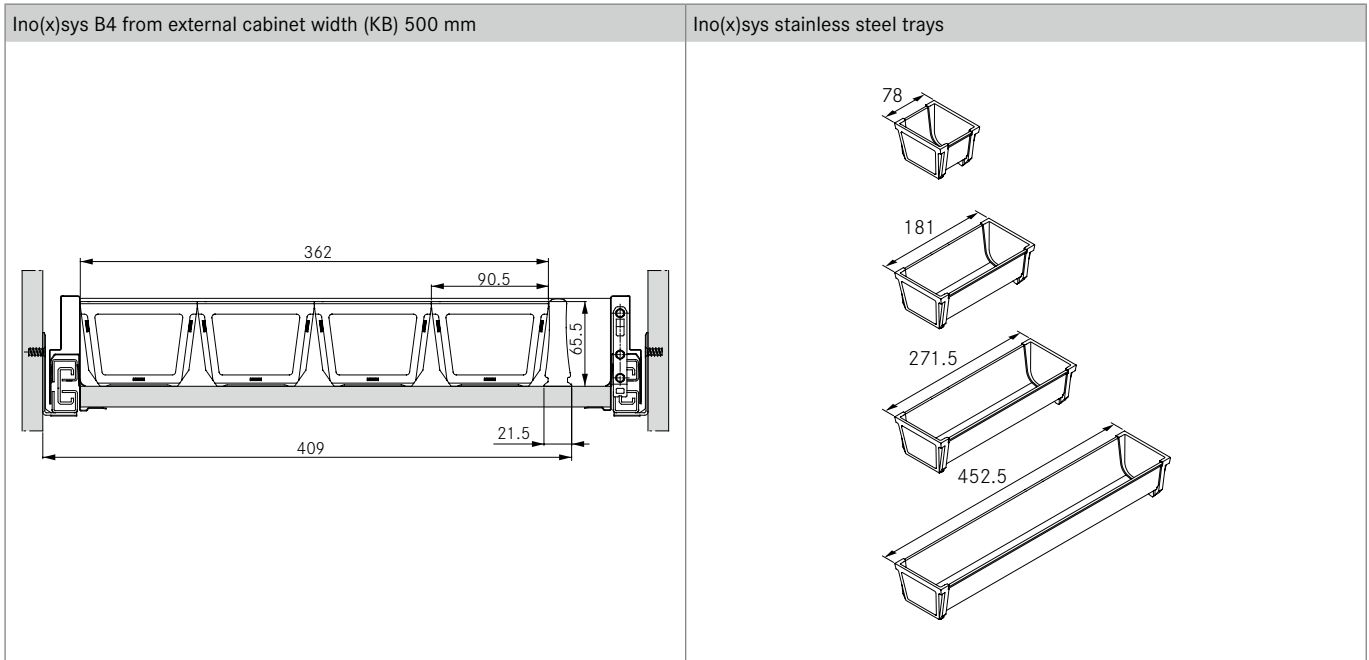
Ino(x)sys 500

PAGE REFERENCES

Drawer sides	13	Steel back panels	58	Assembly technology	116
Slides	34	Designer panels	64	Assembly aids	120
Inset panels	42	Sensomatic	81	Packaging code	127

PLANNING DIMENSIONS

All dimensions in millimetres

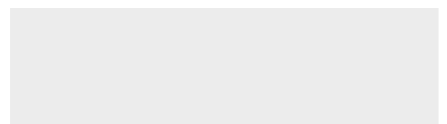
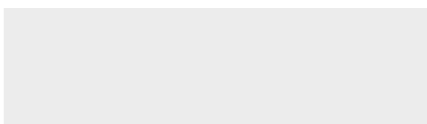


NOTE



LEGEND

NL Nominal length



DRAWER DIVIDER

Dividing system

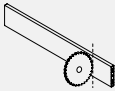



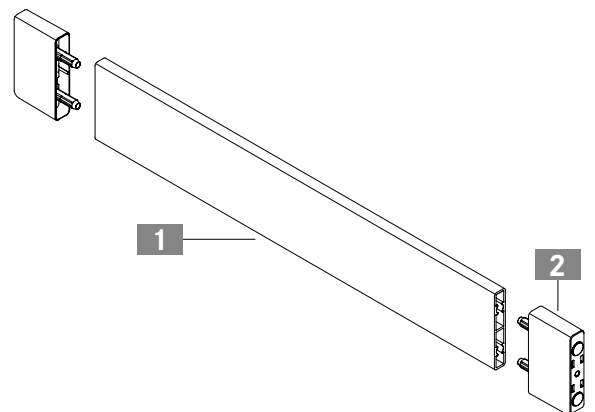
- Elegant storage space organisation by dividing the drawer
- Compensation of the cabinet side thickness with flexible clamping elements
- Aluminium profiles for cutting to length
- Easy to fit
- Tool-free adjustment
- Can be retrofitted at any time
- Colour coordinated

Packaging unit (PU):

207 = 10 items in a cardboard box
211 = 20 items in a cardboard box

ORDER INFORMATION

1 Drawer divider aluminium profile, L = 1185 mm Single item: For cutting to length														
L	Stone			Ice			Silver							
	Art.-no.	PU		Art.-no.	PU		Art.-no.	PU						
1185	F102102943	207		F102102944	207		F102102945	207						
2 Clamping unit Single item: Can be used on left/right														
	F102102932	211		F102102947	211		F102102948	211						

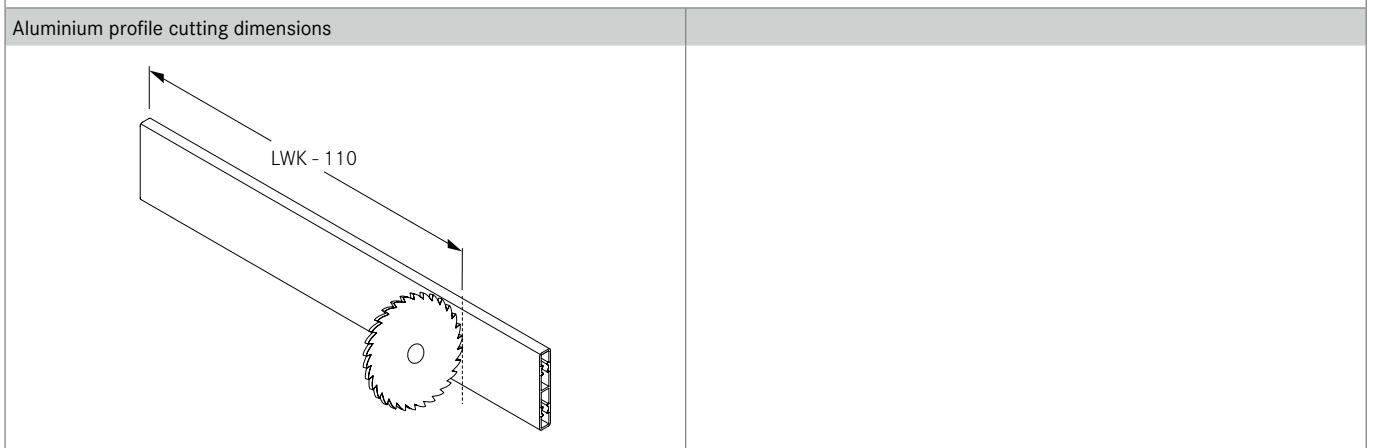
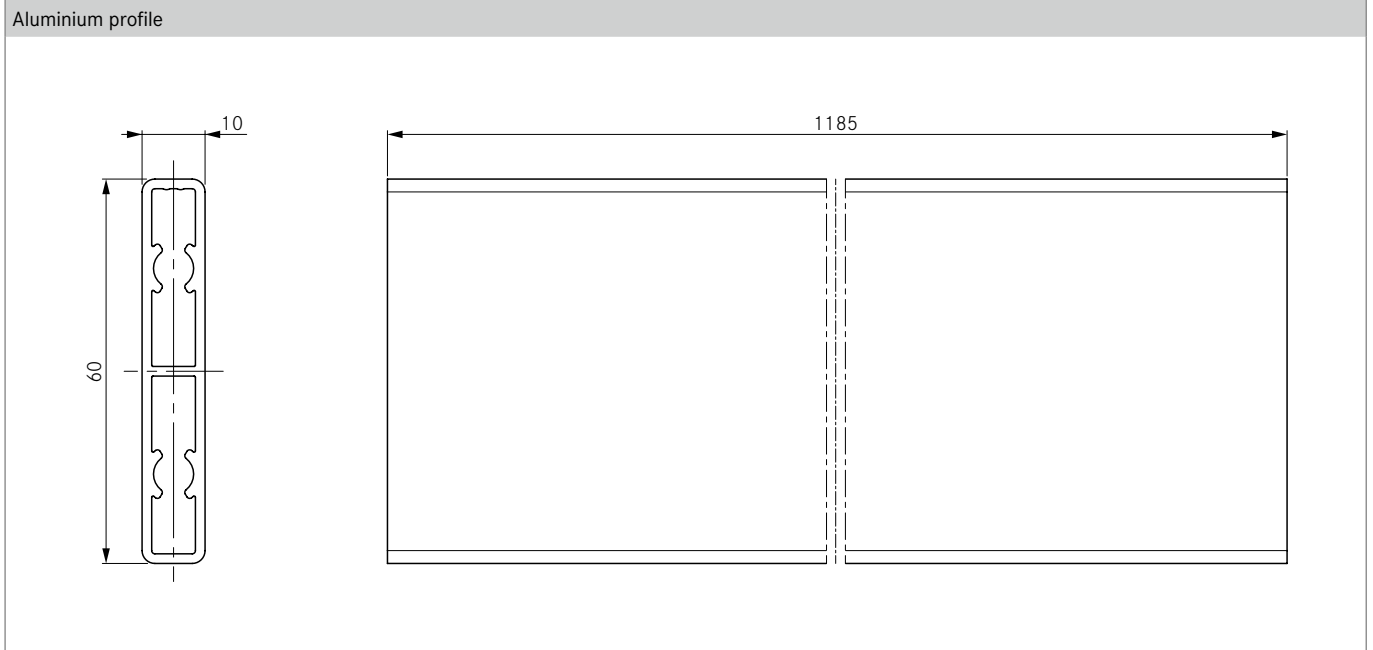


PAGE REFERENCES

Drawer sides	13	Steel back panels	58	Assembly technology	116
Slides	34	Designer panels	64	Assembly aids	120
Inset panels	42	Sensomatic	81	Packaging code	127

PLANNING DIMENSIONS

All dimensions in millimetres



LEGEND

L	Length
LWK	Inside cabinet width