

NOVA PRO SENSOMATIC

Single set



- Electro-mechanical opening system
- Combines handle-free opening with Soft-close damping system
- 1 drive unit for all weight classes
- Easy to fit
- Simple plug and play wiring
- Small additional installation depth
- Single sets include all components necessary for installation
- Ideal for heavy pot drawers and waste separating systems

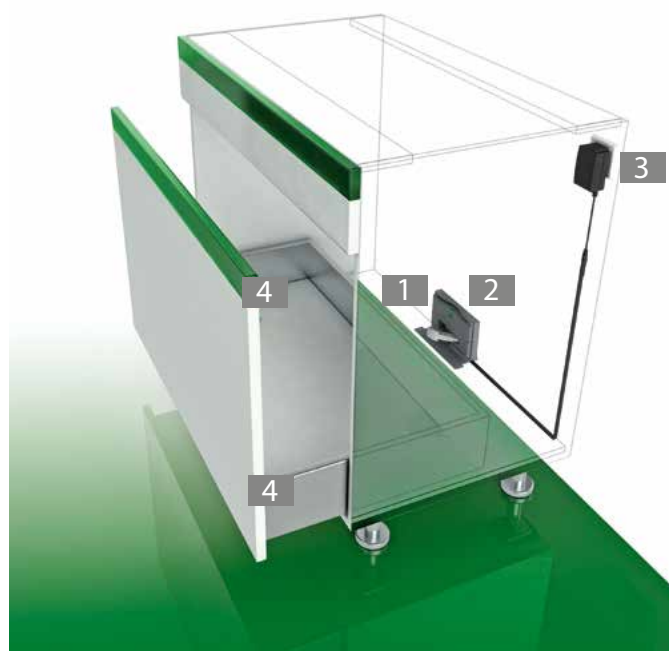
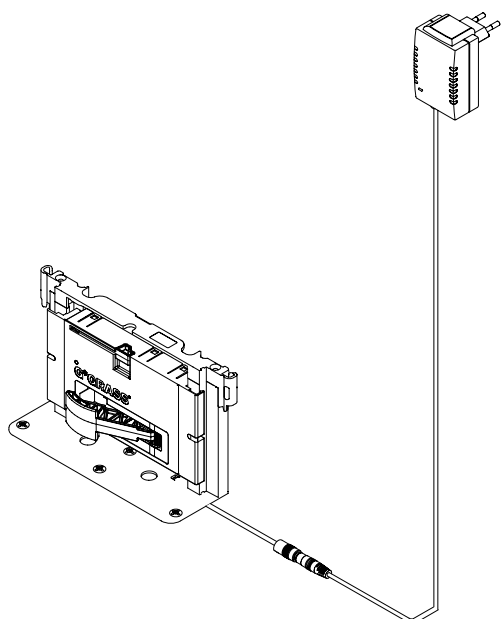
- Note:
Sets for other countries available upon request

ORDER INFORMATION

Sensomatic single set		
	Art.-no.	PU
for Nova Pro	F121 100983	201

1 set includes:

- 1 drive unit (1x)
 - 2 installation set (1x)
 - 3 Power supply unit with connector (1x)
(Central Europe, DE, FR, IT, CH, ES, RU, PT, NL)
 - 4 spring-loaded front buffers (4x)
- drilling and installation instructions (1x)



PAGE REFERENCES

Drawer sides	13	Steel back panels	58	Organising systems	101
Slides	34	Accessories	64	Assembly technology	114
Inset panels	42	Installation instructions	96	Packaging code	123

INSTALLATION INFORMATION

Installation dimensions

RW	MET	LBT
Wood	NL + 20*	NL + 5*

* When using front buffer 2.2 mm MET = NL + 21, LBT = NL + 6

Installation set

Position of drive unit

Position of front buffer

Note:
When using Nova Pro slides 70 kg, 4 front buffers must be integrated into the front.

* Recommendation/Minimum dimension: 49.5 mm

LEGEND

FA	Front overlay	LWK	Inside cabinet width	RW	Back panel
FH	Height of front	MET	Minimum installation depth		
KF	Cable routing	NL	Nominal length		
LBT	Depth of hole pattern	P	Positioning aid		